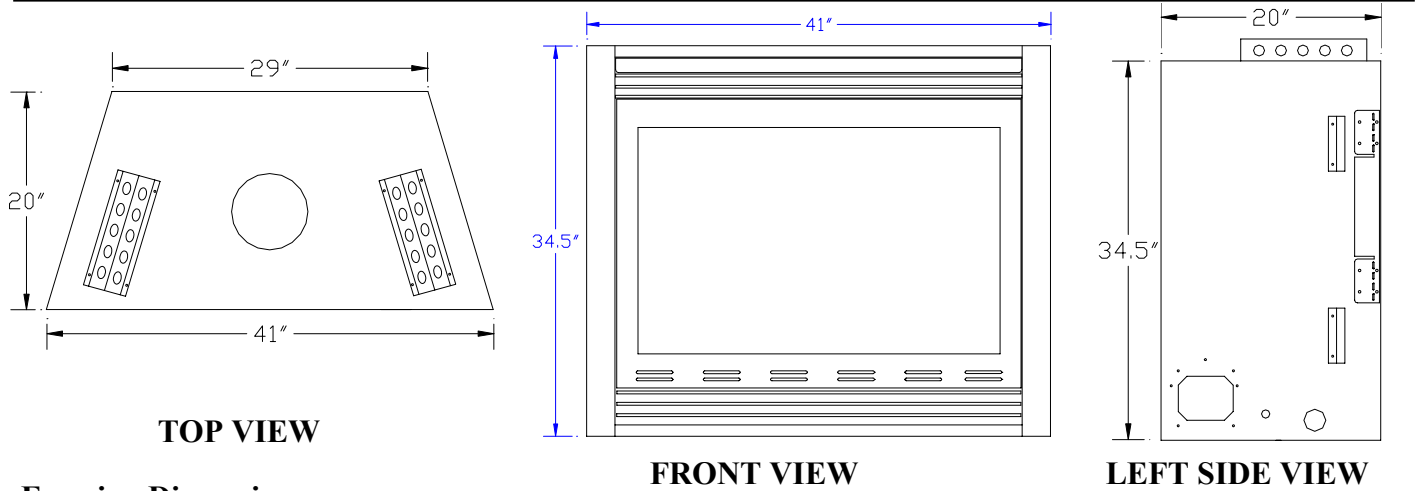


THE SERRANO 42 SERIES FIREPLACE SPECIFICATIONS AND INSTALLATION INFORMATION

Fireplace Dimensions

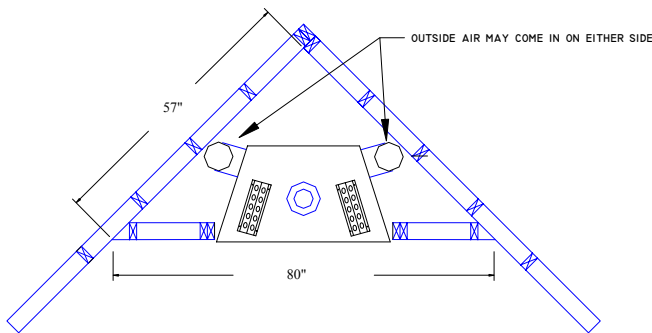


TOP VIEW

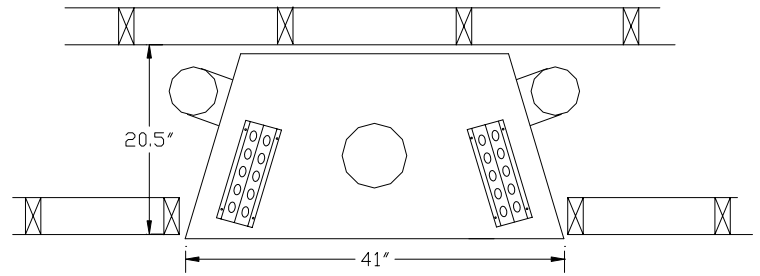
FRONT VIEW

LEFT SIDE VIEW

Framing Dimensions



CORNER INSTALLATION

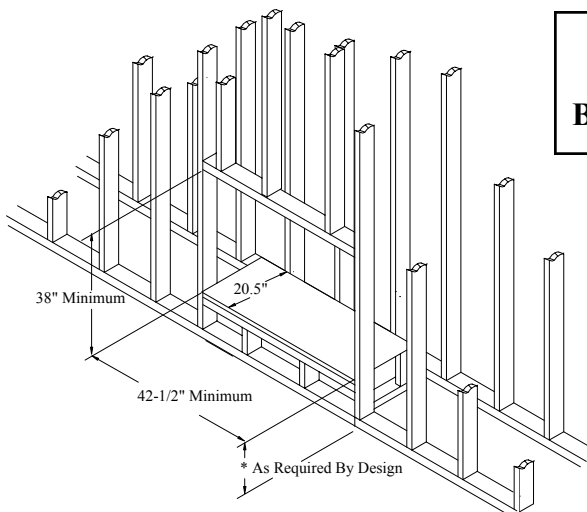


WALL OR CHASE INSTALLATION

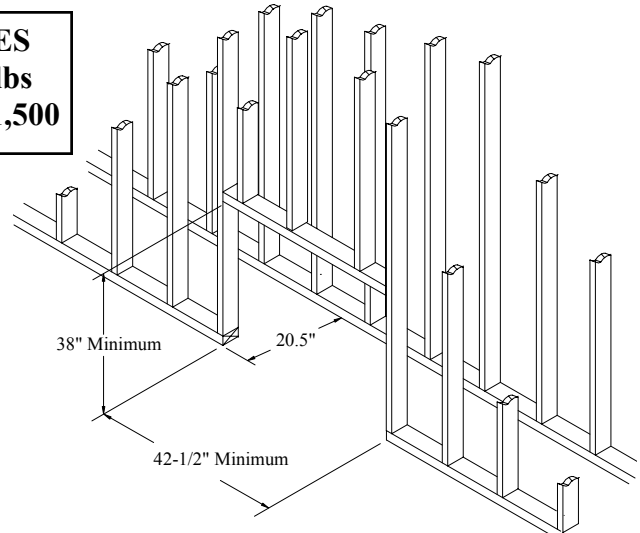
If Rectangular Ducting (Part # 04075) is used, dimensions can be reduced by 3.5"

The SE Series is a zero-clearance fireplace. The fireplace has spacers attached to assist in a correct installation. Combustible materials may touch the spacers, but must never be notched, cut, or modified to come closer to the appliance than the spacers allow.

Minimum Opening



PLATFORM INSTALLATION



FLOOR LEVEL INSTALLATION

SE-42 SERIES
Weight: 250 lbs
BTU Input: 41,500

The above framing diagram does not show a hearth. A hearth is not required, but often used with this appliance. If a hearth is desired, it must be constructed so as not to inhibit the valve access door at the bottom of the appliance. The hearth need not conform to codes applicable to solid fuel appliances.

System Specifications

Gas Supply Line Location

Gas Input Rating:

Nat. Gas	41,500
Propane	38,000

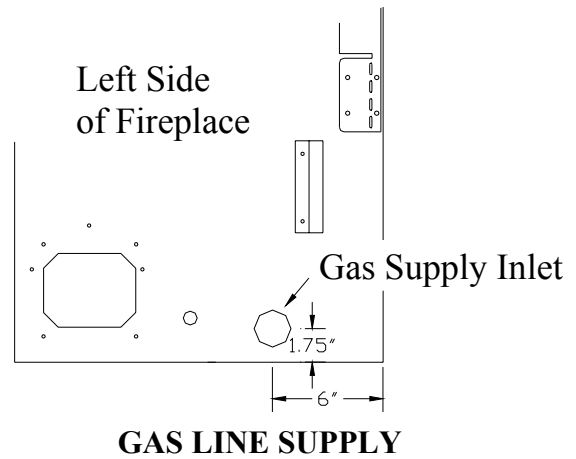
Rated Manifold Pressure:

Nat. Gas	3.5" w.c.
Propane	10" w.c.

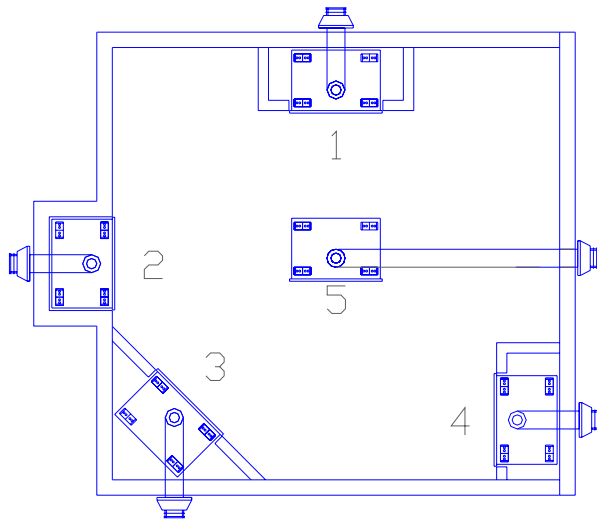
Minimum Gas Line Pipe Size: 1/2"

Electrical : 120 V.A.C.

Amperage Rating: 3.25 / 3.5 Amps

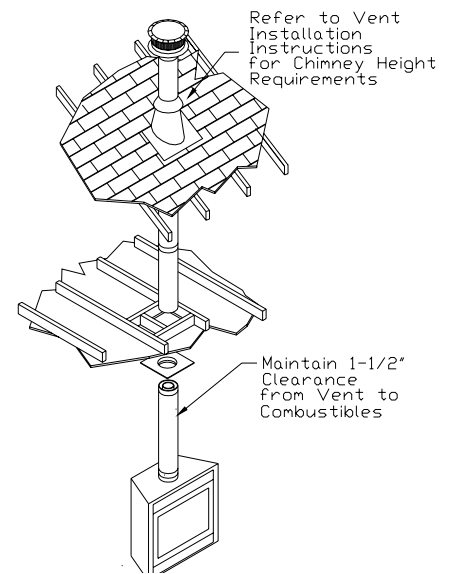


Venting Requirements



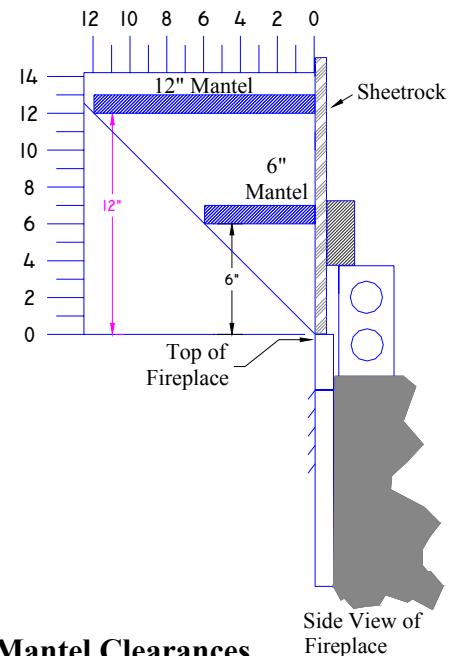
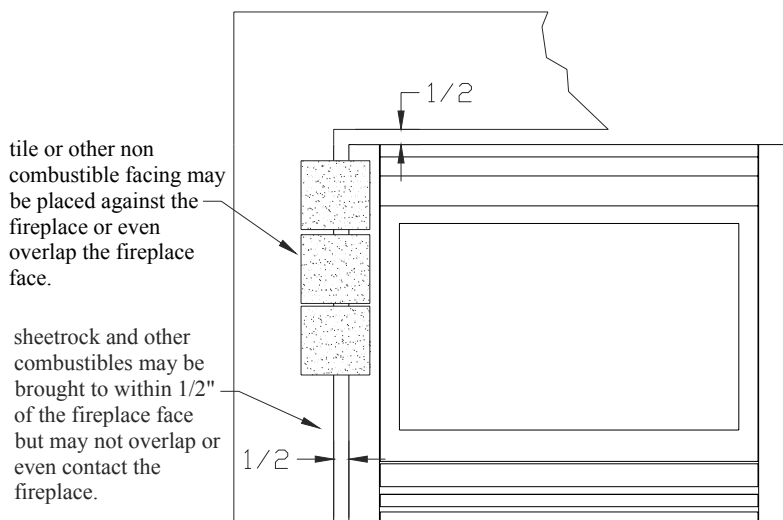
Horizontal Venting Options

Alpine SE series products have been tested extensively for venting options of up (4) 90 degree elbows or (8) 45 degree elbows. Contact your local Alpine retailer for more information about the many venting options possible with Alpine SE Products.



Vertical Venting

Facing and Mantel Requirements



Mantel Clearances